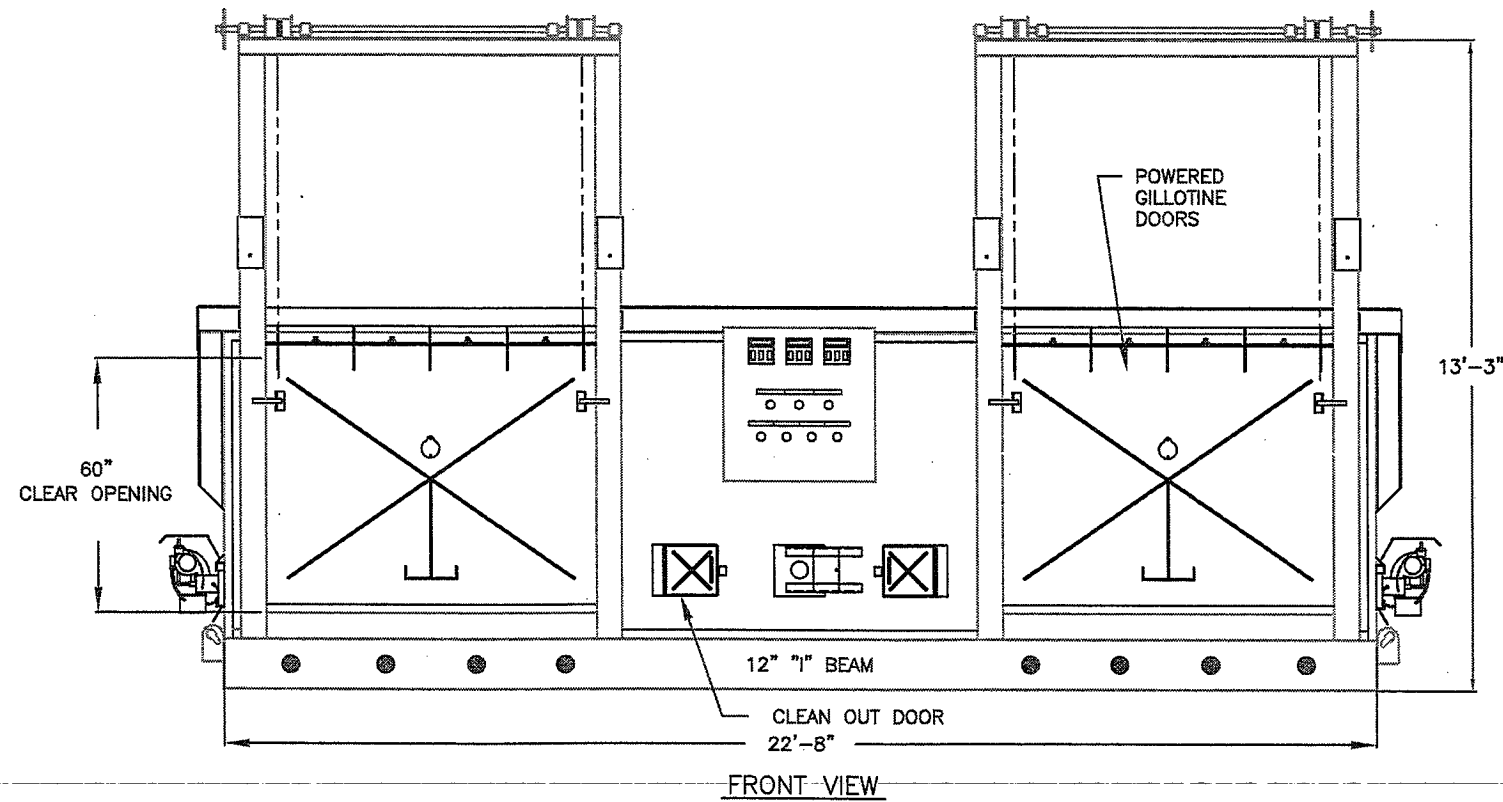
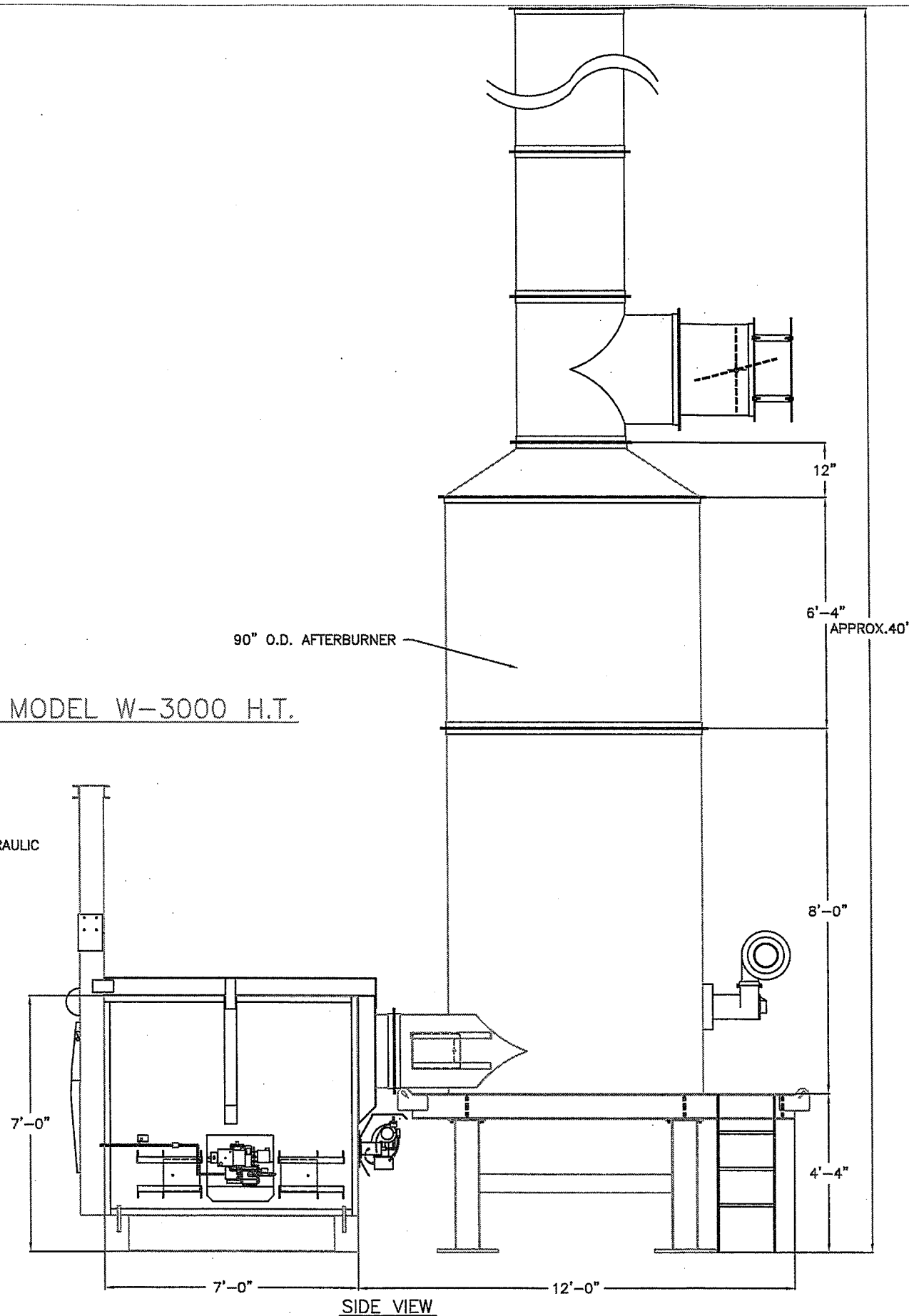


NOTE: DOOR OPERATION  
CAN BE MECHANICAL OR HYDRAULIC

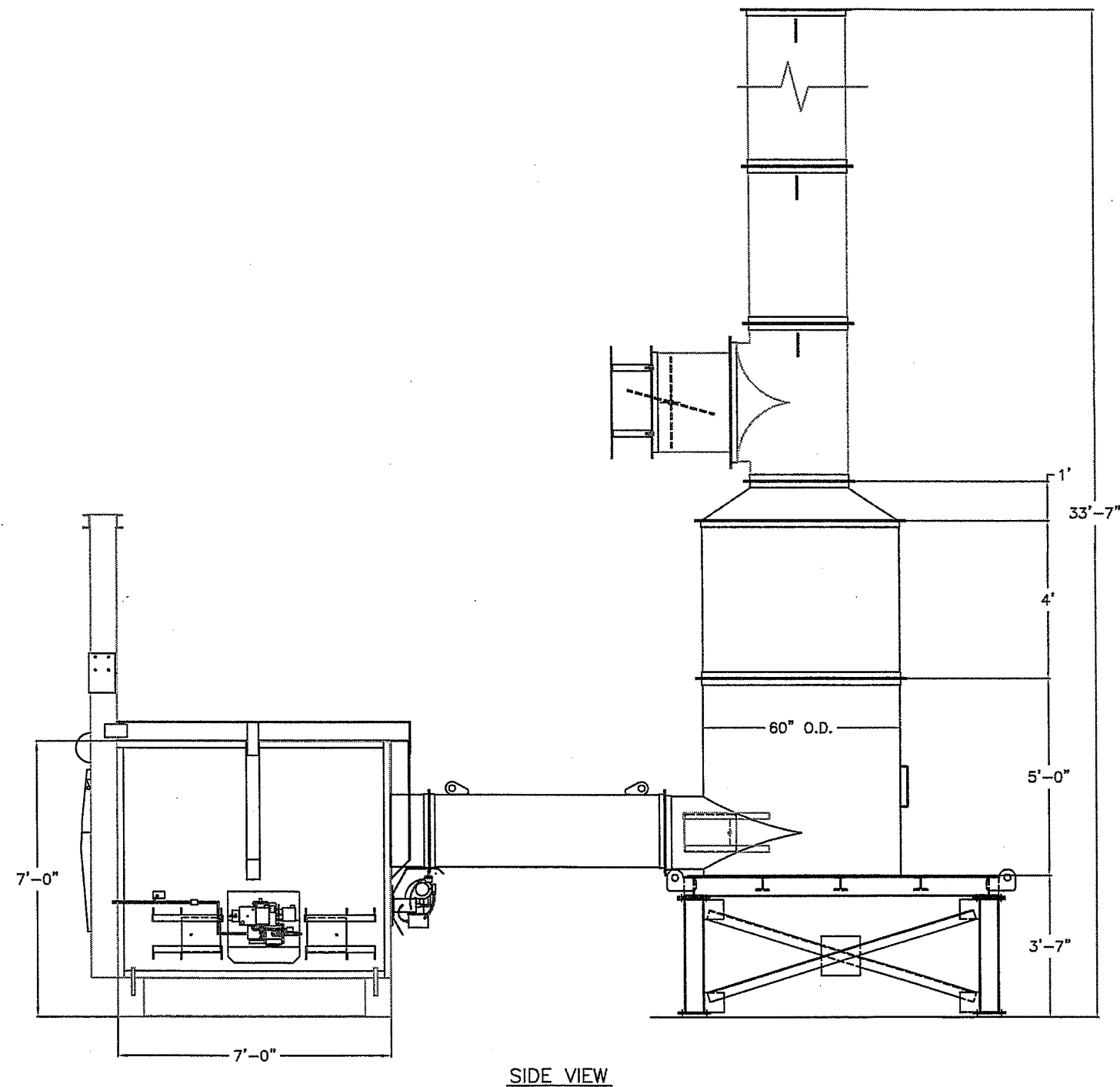
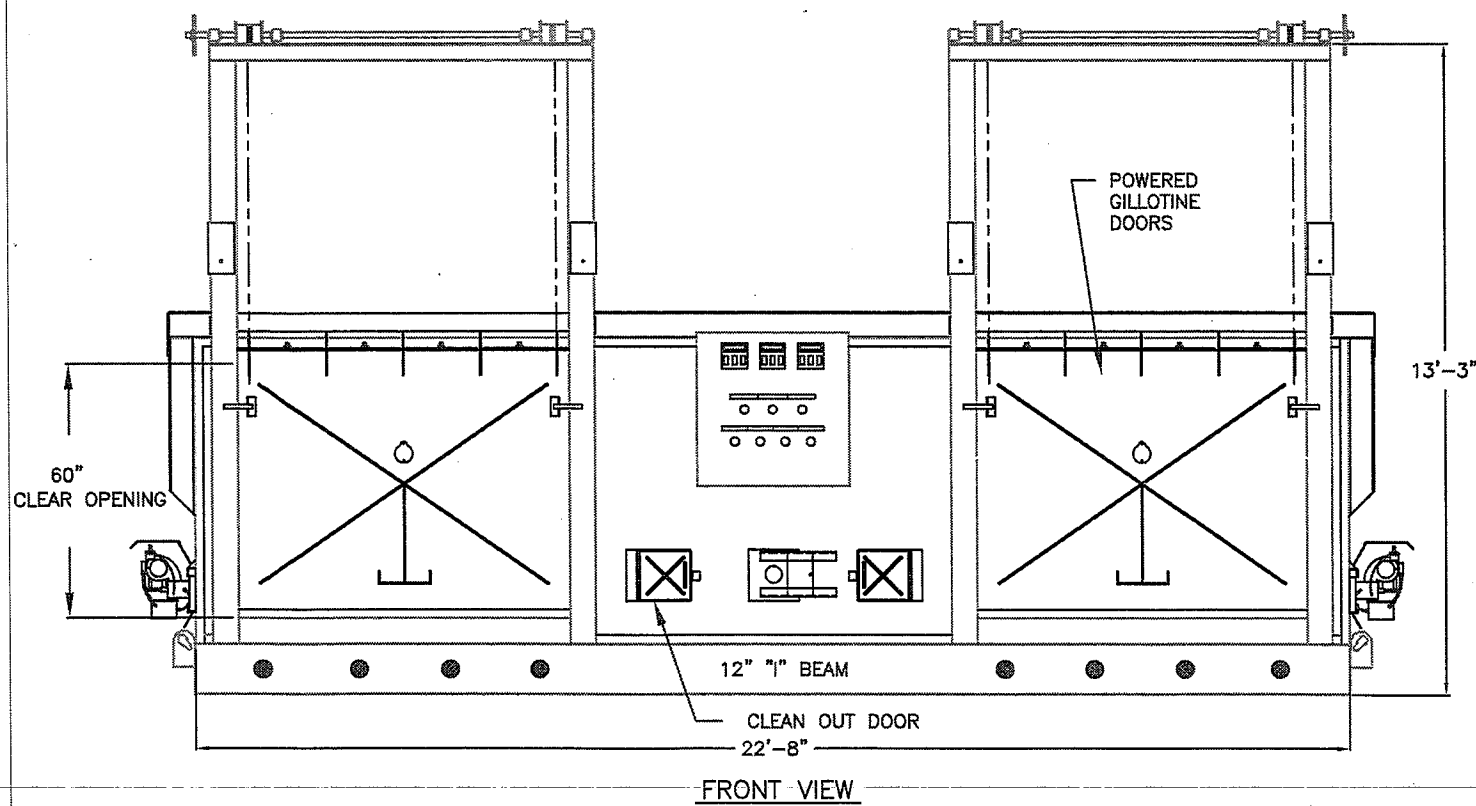
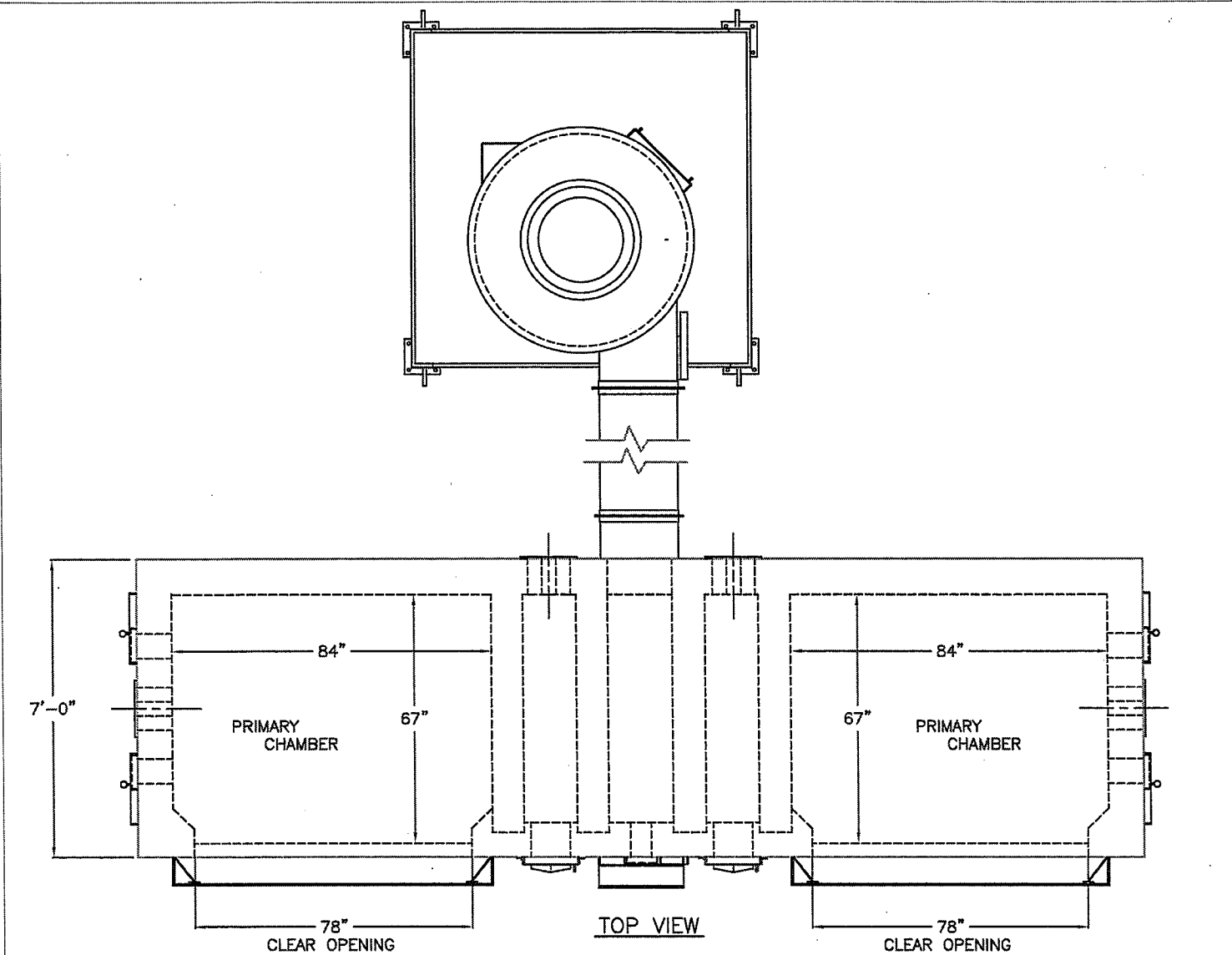


STD. MODEL W-3000 H.T.



SALES PRESENTATION DRAWING		
CUSTOMER AND JOB NO.	BY	DATE
TCI	DJS	11-6-08
DESCRIPTION	SCALE	FILE NAME
STD. W-3000 H.T FURNACE	NTS	SALE W3000HT
REVISION DATE	BY	NOTES

Recycling Services International  
 Recycling Furnace Specialists  
 Consulting & Troubleshooting  
 Parts, Service, New & Used Equipment  
 Pollution Control Equipment & Upgrades  
 P.O. Box 800-797-1127 Fax: 518-233-006  
 www.recyclingfurnaces.com e-mail: RSI@rcs.com  
 This drawing, in design and detail, is our property and must not be used or copied except in connection with our work and with our written permission.



SALES PRESENTATION DRAWING			Recycling Services International		
CUSTOMER AND JOB NO.	BY	DATE	Reclaiming Furnace Specialists		
ADVANCED CHEMICAL	DJS	5-6-08	Consulting & Troubleshooting		
DESCRIPTION	SCALE	FILE NAME	Parts, Service, New & Used Equipment		
STD. W-3000 A/B RETROFIT	NTS	SALE W3000HT	Pollution Control Equipment & Upgrades		
REVISION DATE	BY	NOTES	P.O. 800-737-4127 Fax 518-233-006		
			www.recyclingmachines.com e-mail: RSI@rsi.com		
			This drawing, in design and detail, is our property and must not be used or copied except in connection with our work and with our written permission.		